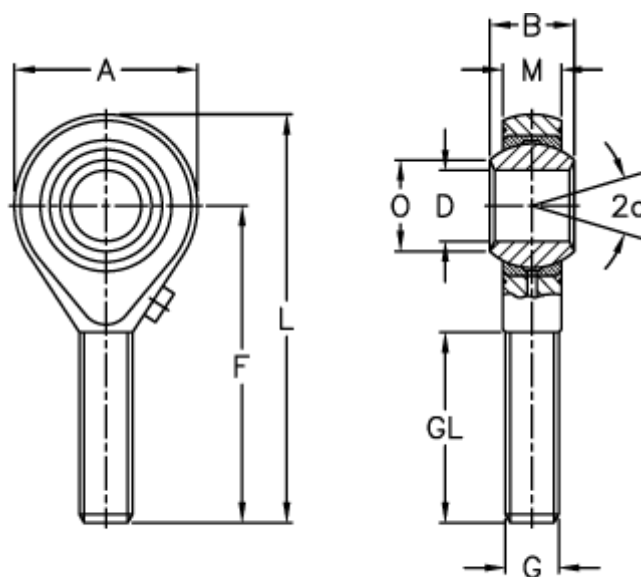


Article number: 03004016150

Description: Fluro Rod End GAS 16 16x1,5
Zinc Plated

Measures



Str. 2-5 uden smørenippel

| | | | |
|---------------------|-----------|---------------------|--------|
| A | = 42 | L | = 87 |
| a (degrees) | = 15 | M | = 15 |
| B | = 21 | O | = 19.3 |
| D | = 16 | Permissible rpm | = 660 |
| Dynamic load C (kN) | = 21.5 | Static load C0 (kN) | = 32 |
| F | = 66 | Weight (g) | = 189 |
| g | = M16x1,5 | | |
| GL | = 40 | | |